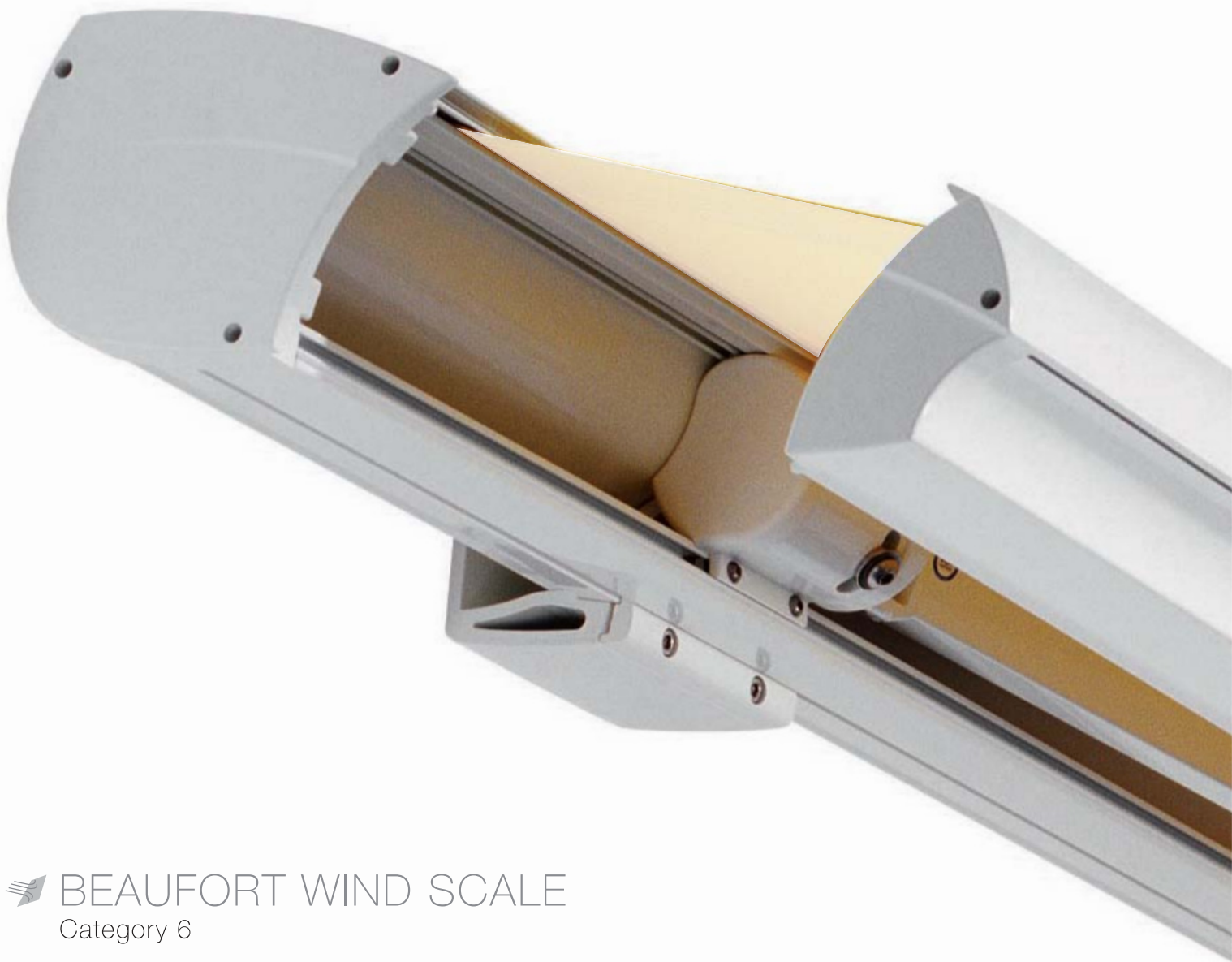


HELIO SHADE[®]

CASSETTE



 BEAUFORT WIND SCALE
Category 6

 3 YEAR WARRANTY

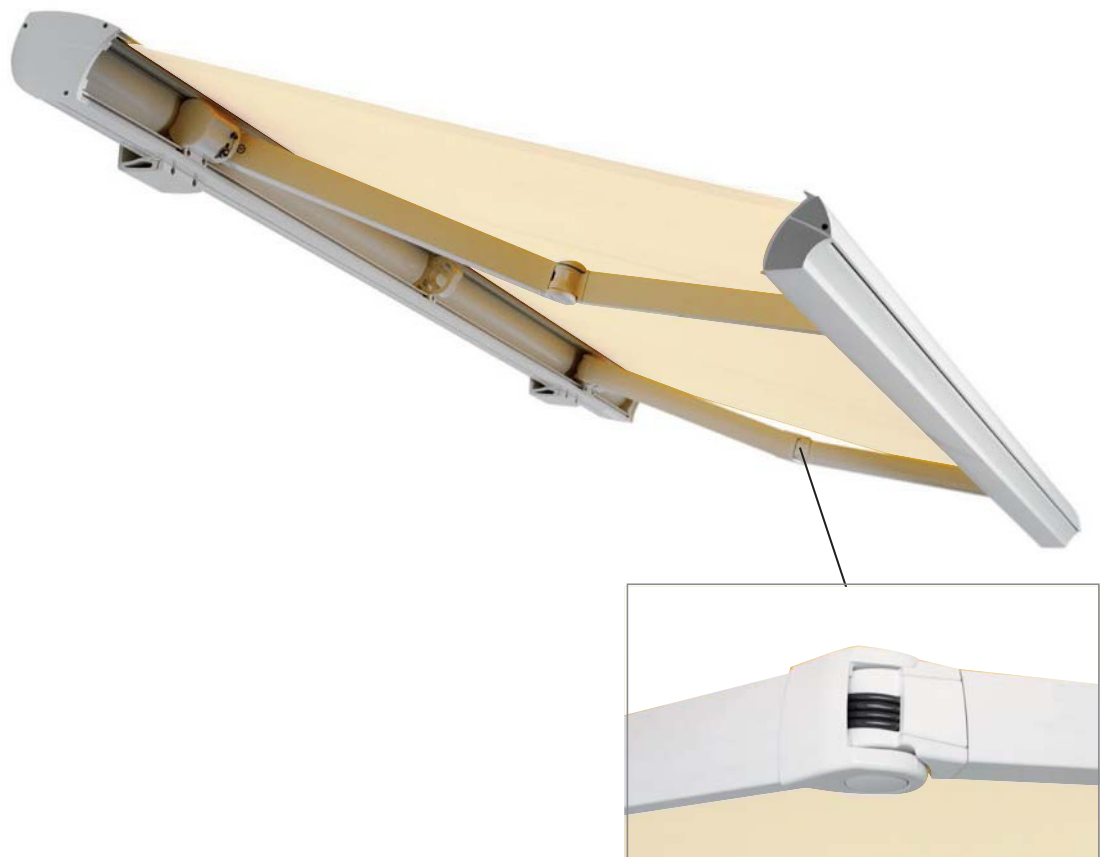
HELIOSHADE®

CASSETTE

THE NEXT GENERATION

THE AWNING THAT MEETS THE HIGHEST DEMANDS

The HELIOSHADE® CASSETTE is the superior model of the new HELIOSHADE® series from HELIOSCREEN. Using innovative German technology and stylish Italian design, it perfectly protects the awning fabric and its working parts from the harsh Australian environment with a fully closing cassette. Top quality materials including chromatised aluminium and rustproof A2 screws, along with precision engineering down to the last detail ensure perfect functionality and durability. High strength extruded brackets guarantee a sound fixing, even on difficult facades. The HELIOSHADE® CASSETTE can be fully automated with a sun and wind sensor.



STRONG ARMS – THE HEART OF THE AWNING.

The newly developed articulated HELIOSHADE® arm is characterised by its elegant, eye-catching design and convincing performance. All components have been developed to ensure smooth functioning and high durability which have proved themselves in very demanding load tests. The use of high-quality aluminium in combination with high-strength cast parts or drop-forged arm sections (with a projection of 3,500mm and more) stand for optimal safety even under extreme load. The specially developed "multiflex" power band, which is made up of four tear-resistant steel cables sheathed in a highly flexible plastic material protecting against corrosion and wind damage. It applies the force of up to three spring movements in the upper arm section and ensures proper tensioning of the awning, whilst still allowing flexibility during gusts of wind.

Building on many years of experience in international competition, the latest German technology and testing methods have allowed us to develop a new awning concept, the HELIOSHADE® CASSETTE, which excels in its attention to technical detail, functionality and appearance.



THE CASSETTE

The elegantly formed HELIOSHADE® CASSETTE with end caps of cast aluminium offers perfect protection from the elements.



THE TECHNOLOGY

The fabric protection profile protects the fabric on the roller tube – even when the awning is extended – against the influences of the weather. Its supporting function ensures that the awning fabric is firmly tensioned.



MOUNTING

The awning can be top or face fixed, with a maximum inclination of 40 degrees.

VARIOVOLANT

THAT CERTAIN EXTRA WITH THE ADDED BENEFIT

The HELIOSHADE® CASSETTE is the first awning with a vertically adjustable valance that can easily be fitted after installation. By adding an additional hand crank the Variovolant, designed to complement the overall appearance of the awning, can be extended to 1,600mm offering additional protection from the setting/rising sun's glare.



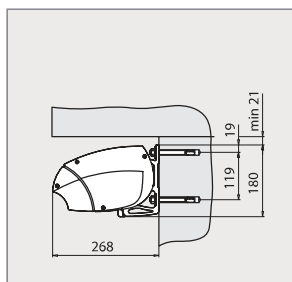
TECHNICAL DATA (dimensions in mm)

PROJECTION	1,500	2,000	2,500	3,000	3,500	4,000
MINIMUM WIDTH	2,000	2,500	3,000	3,500	4,000	4,500

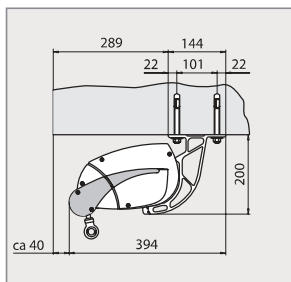
COUPLING SYSTEMS up to 12,000

STANDARD OPERATION motor (gear unit and hand crank possible)

STANDARD COLOURS OF THE AWNING ELEMENTS



Wall / face mounting (dimensions in mm)



Ceiling/top mounting with a Variovolant (dimensions in mm)



HELIOSHADE[®]

CASSETTE

CLASSIC & SEMI-CASSETTE

NEW DIMENSIONS IN FAÇADE DESIGN



CLASSIC

The most basic model in the range, the CLASSIC HELIOSHADE[®] open articulated arm awning maintains the HELIOSHADE[®] high standard of design and manufacture. Its maximum projection is 4,000mm with a maximum width of 6,500mm supported by only two arms. Using just a few additional parts the CLASSIC awning can be fitted with the Variovolant.



SEMI-CASSETTE

The flexible SEMI-CASSETTE awning is suitable for large scale shading solutions. It allows projections up to 4,000mm and widths up to 6,500 with only two arms, and can be increased to 7,000mm width by adding a third arm. This elegant and compact semi-cassette awning effectively protects the awning fabric from moisture and dust.

Available from:

Melbourne Shade Systems
215a Nepean Hwy
Gardenvale, Vic 3185

ph: 03 9596 3333
info@shadesystems.com.au

www.shadesystems.com.au